



## BH-0.66 I Current Transformer

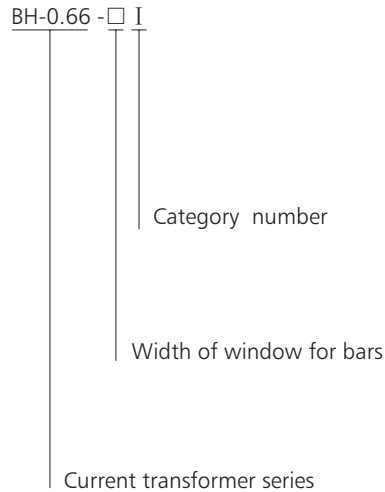
### 1. Application

To be used in combination with measurement instruments: ammeters, watt-hour meters, measurement units, control relays, etc.


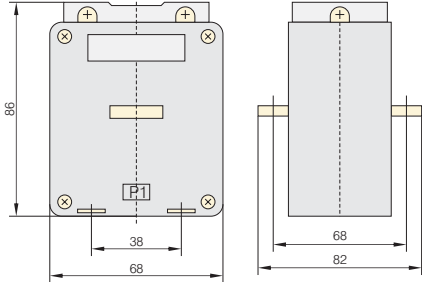

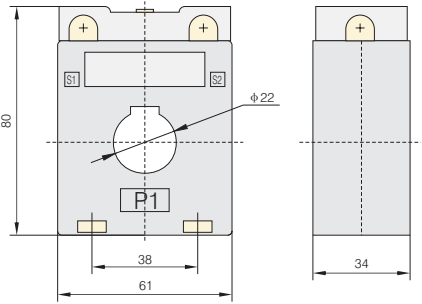

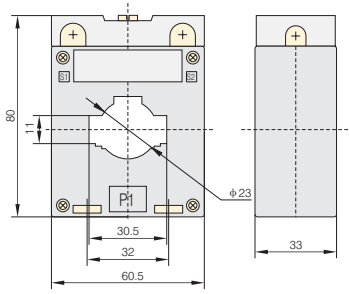

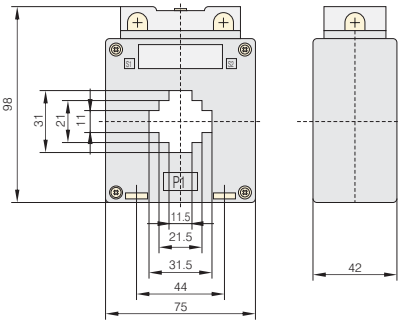
### 2. Technical data

- 2.1 Secondary current  $I_{sn}$ : 5A
- 2.2 Rated voltage  $U_e$ : 660 V
- 2.3 Frequency: 50/60 Hz
- 2.4 Instrument security factor (FS): 10
- 2.5 Operating temperature: -5°C to +40°C, humidity <80%
- 2.6 Standards: IEC 60044-1
- 2.7 Installation type: busbar or plate fixing


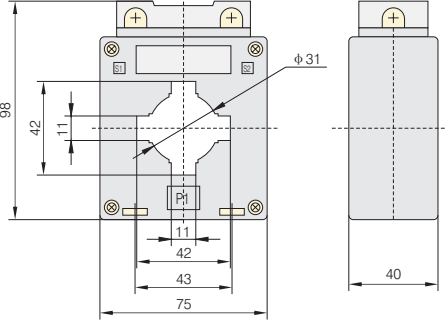

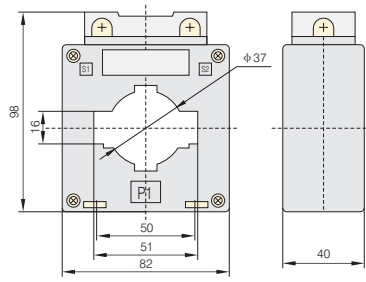

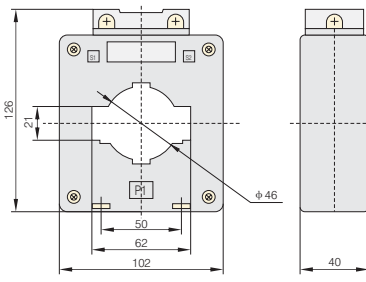
### 3. Type designation


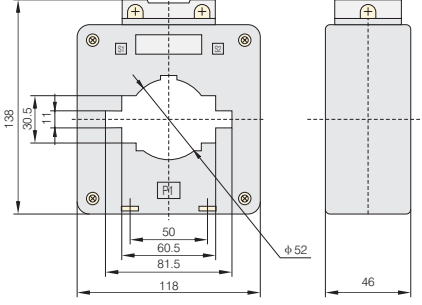

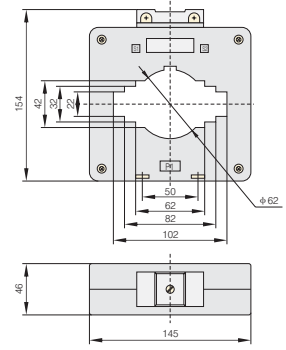

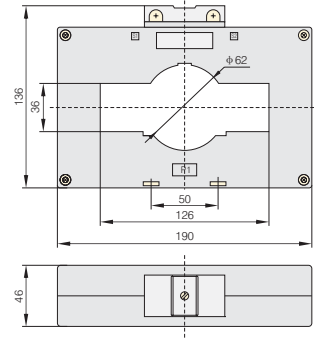


4. Technical data

Model	Transformation ratio(I <sub>pn</sub> /I <sub>sn</sub> ) (A)	Power(VA)				Number of turns through iron core	Overall and installing dimensions (mm)
		Accuracy class					
		1	0.5	0.5S	0.2		
 BH-0.66 Solid type	5/5	5	2.5				
	10/5	5	2.5				
	15/5	5	2.5				
	20/5	5	2.5				
	25/5	5	2.5				
	30/5	5	2.5				
	40/5	5	2.5				
	50/5	5	2.5				
75/5	5	2.5					
 BH-0.66 20 I	75/5	2.5			1		
	100/5	2.5			1		
 BH-0.66 30 I	30/5	5	2.5				
	50/5	5	2.5				
	75/5	5	2.5				
	75/5	2.5					
	100/5	2.5					
	100/5	5	5				
	150/5	5	2.5				
	200/5	5	5				
	250/5	5	5				
	300/5	5	5				
400/5	5	5					
 BH-0.66 30 I B	30/5			2.5	2.5	5	
	50/5			2.5	2.5	3	
	75/5			2.5	2.5	2	
	75/5	5	2.5			1	
	100/5	5	2.5			1	
	100/5			5	5	2	
	150/5			2.5	2.5	1	
	200/5			5	5	1	
250/5			5	5	1		
300/5			5	5	1		



Model	Transformation ratio(I <sub>pn</sub> /I <sub>sn</sub> ) (A)	Power(VA)				Number of turns through iron core	Overall and installing dimensions (mm)
		Accuracy class					
		1	0.5	0.5S	0.2		
 BH-0.66 40 I	30/5	5	2.5			5	
	50/5	5	2.5			3	
	75/5	5	2.5			2	
	75/5	2.5				1	
	100/5	2.5				1	
	100/5	5	5			2	
	150/5	5	2.5			1	
	200/5	5	5			1	
	250/5	5	5			1	
	300/5	5	5			1	
 BH-0.66 50 I	150/5	2.5				1	
	200/5	2.5	2.5			1	
	250/5	5	5			1	
	300/5	5	5			1	
	400/5	5	5			1	
	500/5	10	10	5	5	1	
	600/5	10	10	5	5	1	
	750/5	10	10	10	10	1	
	800/5	10	10	10	10	1	
	1000/5	10	10	10	10	1	
 BH-0.66 60 I	200/5	5				1	
	250/5	5	5			1	
	300/5	5	5			1	
	400/5	5	5			1	
	500/5	10	10	5	5	1	
	600/5	10	10	5	5	1	
	750/5	10	10	10	10	1	
	800/5	10	10	10	10	1	
	1000/5	10	10	10	10	1	
	1200/5	20	20	20	20	1	
1500/5	20	20	20	20	1		

Model	Transformation ratio(I <sub>pn</sub> /I <sub>sn</sub> ) (A)	Power(VA)				Number of turns through iron core	Overall and installing dimensions (mm)
		Accuracy class					
		1	0.5	0.5S	0.2		
 BH-0.66 80 I	300/5	5	5			1	
	400/5	5	5			1	
	500/5	10	10			1	
	600/5	10	10			1	
	750/5	10	10	10	10	1	
	800/5	10	10	10	10	1	
	1000/5	10	10	10	10	1	
	1200/5	20	20	20	20	1	
	1500/5	20	20	20	20	1	
	2000/5	20	20	20	20	1	
 BH-0.66 100 I	600/5	10	10			1	
	750/5	10	10	10	10	1	
	800/5	10	10	10	10	1	
	1000/5	10	10	10	10	1	
	1200/5	20	20	20	20	1	
	1500/5	20	20	20	20	1	
	2000/5	20	20	20	20	1	
2500/5	40	40	40	40	1		
 BH-0.66 120 I	1000/5	10	10	10	10	1	
	1200/5	20	20	20	20	1	
	1500/5	20	20	20	20	1	
	2000/5	20	20	20	20	1	
	2500/5	40	40	40	40	1	
	3000/5	40	40	40	40	1	
4000/5	40	40	40	40	1		

